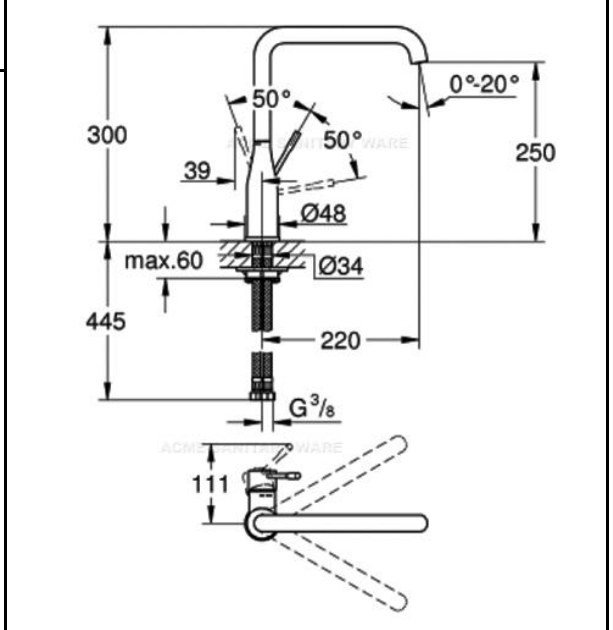




PROJECT		REF		REV	ITEM CODE	
LOCATION		DATE			PAGE	

SANITARY WARE SPECIFICATION SHEET

Item Descriptions	GROHE (Germany) "Essence" Single-lever brushed cool sunrise sink mixer; nominated flow rate 5.8 L/min in WELS Grade 2 ; Registration No. TM 18-0209
Dimensions	L220 x W111 x H300 mm
Model	30269GN0
Finish	Brushed Cool Sunrise
Country of Origin	Portugal
Manufacturer	GROHE Limited
Supplier	Acme Sanitary Ware Co. Ltd Mr. Eric Wong/ Mr. Don Yuen
Contact Tel/Fax	(852) 2388-7171 / (852) 2710-8012
E-mail	acme@acmesanitary.com.hk
Website	www.acmesanitary.com.hk



- Colour options:**
- 000 | StarLight Chrome
 - GL0 | Cool Sunrise
 - DC0 | SuperSteel
 - GN0 | Brushed Cool Sunrise
 - DA0 | Warm Sunset
 - DL0 | Brushed Warm Sunset
 - A00 | Hard Graphite
 - BE0 | Polished Nickel
 - AL0 | Brushed Hard Graphite
 - EN0 | Brushed Nickel

Dynamic flow pressure (kPa)	50	150	250	350	500
Flow rate (l / min)	3.25	5.35	6.25	5.85	5.75

Essence
Single-lever sink mixer 1/2"
 high spout
 single hole installation
GROHE StarLight chrome finish
GROHE SilkMove 28 mm ceramic cartridge
 mousseur
 swivel tubular spout
 adjustable swivel area 0° / 150° / 360°
 flexible connection hoses
 rapid installation system
 integrated temperature limiter
 min. recommended pressure 1.0 bar



* All information of the above is for the reference only. No prior notice is made if any changes.



自願參與用水效益標籤計劃 - 水龍頭
Voluntary Water Efficiency Labelling Scheme - Water Taps



茲證明
This is to certify that

將下列水龍頭在本計劃內註冊：
has registered the following water tap under this scheme :

牌子 / Brand	:	GROHE
型號 / Model	:	30269XXX
種類 / Type	:	Mixing
原產地 / Country or Region Origin	:	Portugal

在用水效益標籤上展示的標誌 <i>Symbolic Presentation on the Water Efficiency Label</i>	:		滴水點 <i>Water droplet(s)</i>
用水效益級別 <i>Water Efficiency Grade</i>	:	2	
耗水量 <i>Water Consumption</i>	:	5.8	公升/分鐘 <i>litres/minute</i>

簽發日期：
Date of Issue: 10 August 2018

水務署
Water Supplies Department



水務署署長(鍾兆榮代行)
for Director of Water Supplies